



Cat. No. **SXRD43CM3**



Cat. No. **SXRD43CM4**
(2) Wire shelves,
non-locking doors



Cat. No. **SXRSGS1**
(3) Poly shelves,
non-locking door



Cat. No. **SXRSGS2**



Cat. No. **SXRS76CM5**
(4) Wire shelves,
non-locking door



Cat. No. **SXRS76CMHD2**



Cat. No. **SXRDGS1**



Cat. No. **SXRD76CM3**
(4) Wire shelves,
non-locking door



Cat. No. **SXRTGS2**
(6) Poly shelves behind upper doors,
(5) Wire shelves right bay, non-locking doors



Cat. No. **SXRTGS3**
(7) Double-side wire shelves in left bay,
(5) single-wide wire shelves in right bay
non-locking doors

Note:
See pages 138-140
for specialty carts
and accessories
(i.e. catheter, suture,
I.V., instrument).



Extended Handle

Accessories

Description	Cat. No.
Extended Handle Assembly 4" ([102mm] H.x21½" [546mm] W.x 4¼" [108mm] L.)	SXREHAN
Extended Handle Assembly — KD	SXREHAN-KD

StarSys Carts are built to exact customer specifications, therefore, they are non-cancelable, non-returnable.



Cat. No. **SXRS72TU2**



Cat. No. **SXRS72TU3**



Cat. No. **SXRS72TU4**



Cat. No. **SXRD72TU2**
Poly shelves, locking doors



Cat. No. **SXRD72TU3**
(2) Poly shelves in left bay, (5) wire shelves in right bay, non-locking doors



Cat. No. **SXRD72TU5**
(5) Wire shelves, non-locking doors



Cat. No. **SXRD72TU6**
(5) Wire shelves, locking doors



Cat. No. **SXRD72SCATH2**
(2) Poly shelves, non-locking door (left), locking door (right)



To configure a Starsys unit to your exact specifications, please visit www.metroconfigurator.com

Full Depth Units



General Supply
Cat. No. **SXRS80SGSTD**



Catheter Storage
Cat. No. **SXRS80SCATHTD**



Catheter Storage
Cat. No. **SXRS83MCATHTD**



General Supply
Cat. No. **SXRD80SGSTD**



General Supply
Cat. No. **SXRD83MGSTD**



Catheter Storage
Cat. No. **SXRD83MCATHTD**

Half Depth Units



General Supply
Cat. No. **SXRS80HGSTD**



Catheter Storage
Cat. No. **SXRS80HCATHTD**



General Supply
Cat. No. **SXRD80HGSTD**



Catheter Storage
Cat. No. **SXRD80HCATHTD**

Starsys Carts are built to exact customer specifications, therefore, they are non-cancelable, non-returnable.

General Supply



SXRSGS1

(Actual Unit has Taupe Pulls)

SXRSGS1 includes:

Single-Wide Tall Mobile Shell with Slotted Polymer Inner Panels

(3) Polymer Shelves (No upper door)

Left-Hinged 270° Solid Locking Upper Door (Keylock/2 keys)

Mid-Level Drawertop Shelf

(1) 3" (76mm) Polymer Drawer

(2) 9" (229mm) Polymer Drawer

Taupe Drawer Pulls

Outer & Inner Panels: Molded HDPE (Hi-Density Polyethylene)

Middle Open Storage Area: 12"H (304mm) x 17"W (432mm) x 22"D (559mm)

Interior Upper Dimensions: 30"H (762mm) x 17"W (432mm) x 22"D (559mm)

Overall Dimensions: 78.3"H (1990mm) x 22.8"W (578mm) x 24.9"D (632mm)



SXRSGS2

SXRSGS2 includes:

Single-Wide Tall Mobile Shell with Slotted Polymer Inner Panels

(2) Polymer Shelves (No upper door)

Mid-Level Drawertop Shelf

(2) 3" (76mm) Polymer Drawers

(2) 6" (152mm) Polymer Drawers

(2) 9" (229mm) Polymer Drawer

Taupe Drawer Pulls

Outer & Inner Panels: Molded HDPE (Hi-Density Polyethylene)

Interior Upper Dimensions: 27"H (686mm) x 17"W (432mm) x 22"D (559mm)

Overall Dimensions: 78.3"H (1990mm) x 22.8"W (578mm) x 24.9"D (632mm)



SXRST6CM5

SXRST6CM5 includes:

Single-Wide Tall Mobile Shell with qwikSLOT Inserts

(4) Fixed Chrome Wire qwikSLOT Shelves

Right-Hinged 270° Solid Non-Locking Tall Door

Taupe Door Pull

Outer & Inner Panels: Molded HDPE (Hi-Density Polyethylene)

Interior Dimensions: 66"H (1676mm) x 18"W (457mm) x 22"D (559mm)

Overall Dimensions: 78.3"H (1990mm) x 22.8"W (578mm) x 27.9"D (709mm)

General Supply



SXRS76CMHD2

SXRS76CMHD2 includes:

Single-Wide Tall Mobile Shell with quikSLOT Inserts & Mid-Level Drawer Lock Module (Keylock/2 keys) (No upper door)

(2) Single-Wide Fixed Chrome Wire quikSLOT Shelves

(2) 3" (76mm) Heavy-Duty Stainless Steel Drawers

(3) 6" (152mm) Heavy-Duty Stainless Steel Drawers

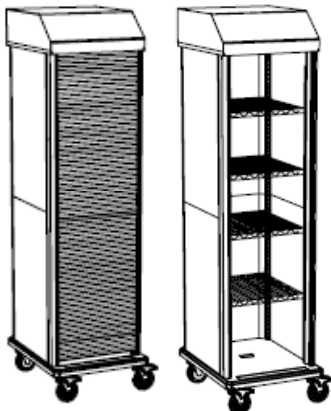
(1) 9" (229mm) Heavy-Duty Stainless Steel Drawer

Taupe Drawer Pulls

Outer & Inner Panels: Molded HDPE (Hi-Density Polyethylene)

Interior Upper Dimensions: 30"H (762mm) x 18"W (457mm) x 22"D (559mm)

Overall Dimensions: 78.3"H (1990mm) x 22.8"W (578mm) x 27.9"D (709mm)



SXRS83MGSTD

SXRS83MGSTD includes:

Single-Wide Tall Mobile Shell with quikSLOT Inserts & Full-Height Pull-Down Locking Tambour Door (Keylock/2 keys)

(4) Fixed Chrome Wire quikSLOT Shelves

Outer & Inner Panels: Molded HDPE (Hi-Density Polyethylene)

Interior Dimensions: 66"H (1677mm) x 17"W (432mm) x 23"D (584mm)

Overall Dimensions: 82.5"H (2096mm) x 22.8"W (578mm) x 27.9"D (709mm)



SXRDGS1

SXRDGS1 includes:

Double-Wide Tall Mobile Shell with quikSLOT Inserts (no door)

(3) Double-Wide Fixed Chrome Wire quikSLOT Shelves

(4) Double-Wide Full-Extension Chrome Wire Shelves

Outer Panels: Molded HDPE (Hi-Density Polyethylene)

Interior Dimensions: 66"H (1677mm) x 38"W (966mm) x 22"D (559mm)

Overall Dimensions: 78.3"H (1990mm) x 42.5"W (1080mm) x 27.9"D (709mm)

General Supply



SXR76CMHD1

SXR76CMHD1 Includes:

- Double-Wide Tall Mobile Shell with quikSLOT Inserts
- (3) Double-wide quikSLOT Chrome Wire Shelves (Behind upper door set)
- Center-Closing 225° Solid Non-Locking Upper Door Set
- Mid-Level Double-Wide Drawer Top Shelf (Non-locking)
- (2) 3" (76mm) Double-Wide Heavy-Duty Stainless Steel Drawers
- (2) 6" (152mm) Double-Wide Heavy-Duty Stainless Steel Drawers
- (1) 9" (229mm) Double-Wide Heavy-Duty Stainless Steel Drawer
- Taupe Drawer & Door Pulls
- Outer Panels: Molded HDPE (Hi-Density Polyethylene)
- Interior Upper Dimensions: 36"H (915mm) x 38"W (966mm) x 22"D (559mm)
- Overall Dimensions: 78.3"H (1990mm) x 42.5"W (1080mm) x 27.9"D (709mm)



SXR76CM3

SXR76CM3 includes:

- Double-Wide Tall Mobile Shell with quikSLOT Inserts
- (4) Double-wide quikSLOT Chrome Wire Shelves (Behind upper door set)
- Center-Closing 270° Solid Non-Locking Tall Door Set
- Taupe Drawer Door Pulls
- Outer Panels: Molded HDPE (Hi-Density Polyethylene)
- Interior Dimensions: 66"H (1677mm) x 38"W (966mm) x 22"D (559mm)
- Overall Dimensions: 78.3"H (1990mm) x 42.5"W (1080mm) x 27.9"D (709mm)



SXR83MGSTD

SXR83MGSTD includes:

- Double-Wide Tall Mobile Shell with quikSLOT Inserts & Full-Height Pull-Down Locking Tambour Door (Keylock\2 keys)
- (4) Double-Wide Fixed Chrome Wire quikSLOT Shelves
- Outer Panels: Molded HDPE (Hi-Density Polyethylene)
- Interior Dimensions: 66"H (1677mm) x 38"W (966mm) x 23"D (584mm)
- Overall Dimensions: 82.5"H (2096mm) x 42.5"W (1080mm) x 27.9"D (709mm)

General Supply



SXRTGS2

SXRTGS2 includes:

Triple-Wide Tall Mobile Shell with Slotted Polymer Inner Panels , qwikSLOT Inserts (Right Bay) & Left-Side Push/Pull Handle

Left Bay

- (3) Polymer Shelves (behind door)
- Left-Hinged 225° Solid Non-Locking Upper Door
- Mid-Level Drawertop Shelf (Non-locking)
- (3) 3" (76mm) Polymer Drawer
- (2) 6" (152mm) Polymer Drawers
- (1) 9" (229mm) Polymer Drawer

Middle Bay

- (3) Polymer Shelves (behind door)
- Right-Hinged 225° Solid Non-Locking Upper Door
- Mid-Level Drawertop Shelf (Non-locking)
- (2) 6" (152mm) Polymer Drawers
- (2) 9" (229mm) Polymer Drawers

Right Bay

- (2) Fixed Chrome Wire qwikSLOT Shelves
- (3) Full-Extension Chrome Wire Shelves
- Right-Hinged 270° Solid Non-Locking Tall Door
- Slate Blue Drawer & Door Pulls

Outer & Inner Panels: Molded HDPE (Hi-Density Polyethylene)

Interior Left & Middle Upper Dimensions: 33"H (839mm) x 17"W (432mm) x 22"D (559mm)

Interior Right Bay Dimensions: 66"H (1677mm) x 18"W (458mm) x 22"D (559mm)

Overall Dimensions: 78.3"H (1990mm) x 65.7"W (1669mm) x 27.9"D (709mm)



SXRTGS3

(Actual Unit has Slate Blue Pulls. Handle included but not shown.)

SXRTGS3 includes:

Triple-Wide Tall Mobile Shell with qwikSLOT Inserts & Left-Side Push/Pull Handle

Left Bay (Double-Wide)

- (3) Double-Wide Fixed Chrome Wire qwikSLOT Shelves
- (4) Double-Wide Full-Extension Chrome Wire Shelves
- Center Closing 225° Solid Locking Door Set (Keylock/2 keys)

Right Bay (Single-wide)

- (2) Single-Wide Fixed Chrome Wire qwikSLOT Shelves
- (4) Single-Wide Full-Extension Chrome Wire Shelves
- Right-Hinged 225° Solid Locking Tall Door (Keylock/2 keys)
- Slate Blue Door Pulls

Outer & Inner Panels: Molded HDPE (Hi-Density Polyethylene)

Interior Left Bay Dimensions: 66"H (1677mm) x 38"W (966mm) x 22"D (559mm)

Interior Right Bay Dimensions: 66"H (1677mm) x 18"W (457mm) x 22"D (559mm)

Overall Dimensions: 78.3"H (1990mm) x 65.7"W (1669mm) x 27.9"D (709mm)

Catheter Storage



SXRS76MCATH1

SXRS76MCATH1 includes:
 Single-Wide Tall Mobile Shell with Slotted Polymer Inner Panels
 (1) Catheter Storage Module (Includes Catheter Shelf, (3) Catheter Slides, (15) Catheter Hooks & Labels
 Left-Hinged 225° Solid Locking Tall Door (Keylock/2 keys)
Outer & Inner Panels: Molded HDPE (Hi-Density Polyethylene)
Interior Dimensions: 66"H (1676mm) x 17"W (432mm) x 22"D (559mm)
Overall Dimensions: 78.3"H (1990mm) x 22.8"W (578mm) x 24.9"D (632mm)



SXRS83MCATHTD

SXRS83MCATHTD includes:
 Single-Wide Tall Mobile Shell with Slotted Inner Panels & Full-Height Pull-Down Locking Tambour Door (Keylock\2 keys)
 (1) Catheter Storage Module (Includes Catheter Shelf, (3) Catheter Slides, (15) Catheter Hooks & Labels
 (1) Polymer Shelf
Outer & Inner Panels: Molded HDPE (Hi-Density Polyethylene)
Interior Dimensions: 66"H (1677mm) x 17"W (432mm) x 23"D (584mm)
Overall Dimensions: 82.5"H (2096mm) x 22.8"W (578mm) x 27.9"D (709mm)



SXR83MCATHTD

SXR83MCATHTD includes:
 Double-Wide Tall Mobile Shell with Slotted Inner Panels & Full-Height Pull-Down Locking Tambour Door (Keylock\2 keys)
 (2) Catheter Storage Modules (Includes (2) Catheter Shelves, (6) Catheter Slides, (30) Catheter Hooks & Labels
 (2) Polymer Shelves
Outer & Inner Panels: Molded HDPE (Hi-Density Polyethylene)
Interior Bay Dimensions: 66"H (1677mm) x 17"W (432mm) x 23"D (584mm)
Overall Dimensions: 82.5"H (2096mm) x 42.5"W (1080mm) x 27.9"D (709mm)

Catheter Storage



SXR76MCATH1

SXR76MCATH1 includes:

Double-Wide Tall Mobile Shell with Slotted Polymer Inner Panels

Left Bay

(1) Catheter Storage Module (Includes Catheter Shelf, (3) Catheter Slides, (15) Catheter Hooks & Labels

Left-Hinged 270° Solid Locking Tall Door (Keylock/2 keys)

Right Bay

(1) Catheter Storage Module (Includes Catheter Shelf, (3) Catheter Slides, (15) Catheter Hooks & Labels

Right-Hinged 270° Solid Locking Tall Door (Keylock/2 keys)

Taupe Door Pulls

Outer & Inner Panels: Molded HDPE (Hi-Density Polyethylene)

Interior Bay Dimensions: 66"H (1677mm) x 17"W (432mm) x 22"D (559mm)

Overall Dimensions: 78.3"H (1990mm) x 42.5"W (1080mm) x 24.9"D (632mm)



SXR76MCATH2

SXR76MCATH2 includes:

Double-Wide Tall Mobile Shell with Slotted Polymer Inner Panels & Left-Side Push/Pull Handle

Left Bay

(2) Polymer Shelves (behind door)

Left-Hinged 225° Solid Non-Locking Upper Door

Mid-Level Drawertop Shelf (Non-locking)

(1) 3" (76mm) Polymer Drawer

(2) 6" (152mm) Polymer Drawers

(2) 9" (229mm) Polymer Drawers

Right Bay

(1) Catheter Storage Module (Includes Catheter Shelf, (3) Catheter Slides, (15) Catheter Hooks & Labels

Right-Hinged 270° Solid Locking Tall Door (Keylock/2 keys)

Taupe Drawer & Door Pulls

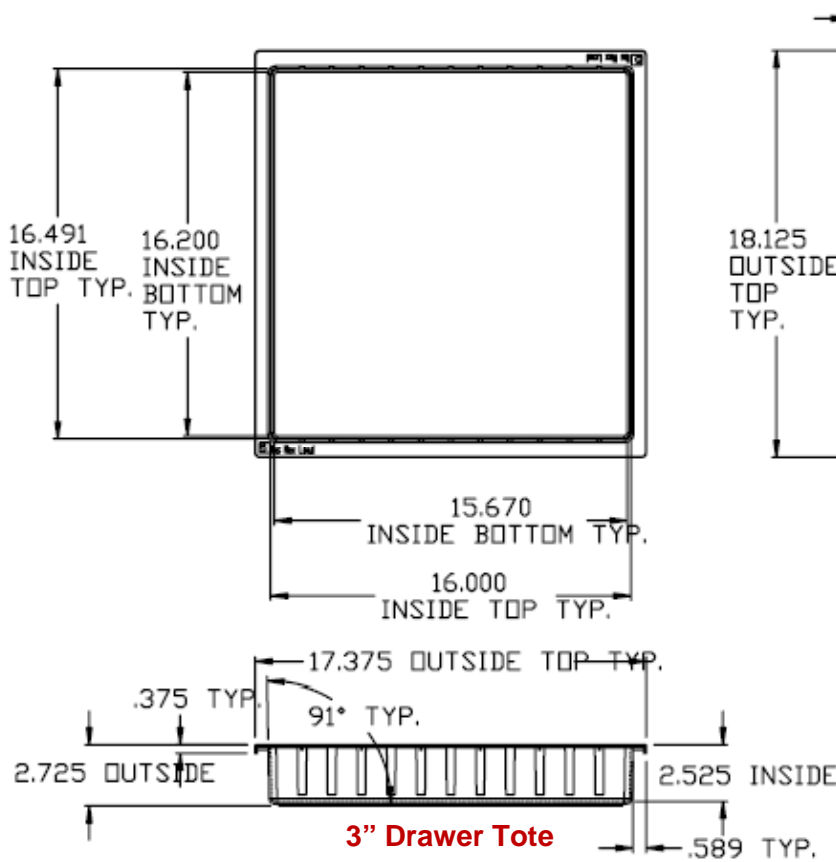
Outer & Inner Panels: Molded HDPE (Hi-Density Polyethylene)

Interior Left Upper Dimensions: 30"H (762mm) x 17"W (432mm) x 22"D (559mm)

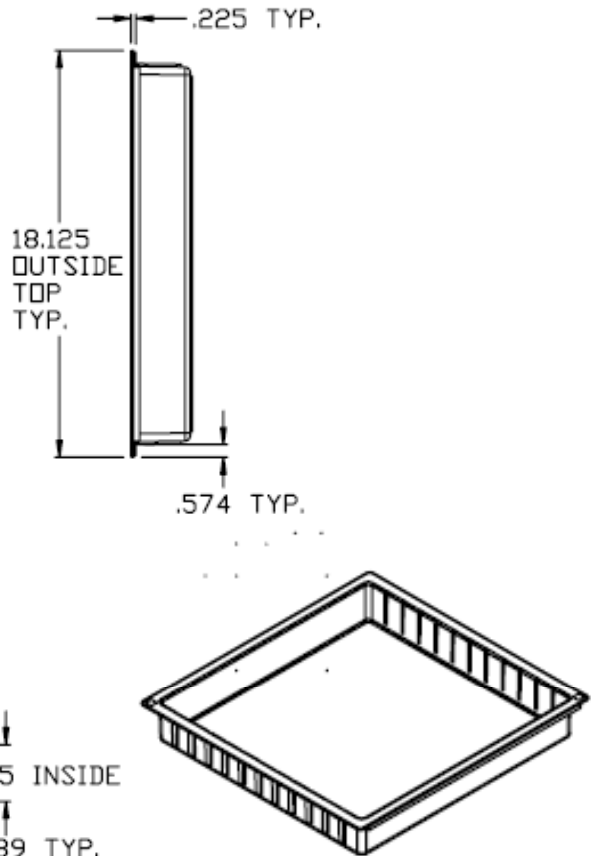
Interior Right Bay Dimensions: 66"H (1677mm) x 17"W (432mm) x 22"D (559mm)

Overall Dimensions: 78.3"H (1990mm) x 45.9"H (1166mm) x 24.9"D (632mm)

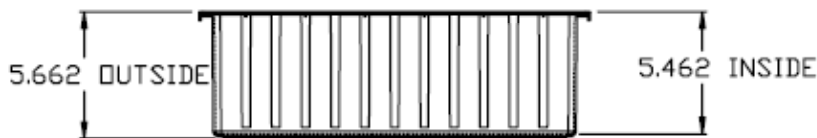
Standard Drawer Tote Specs



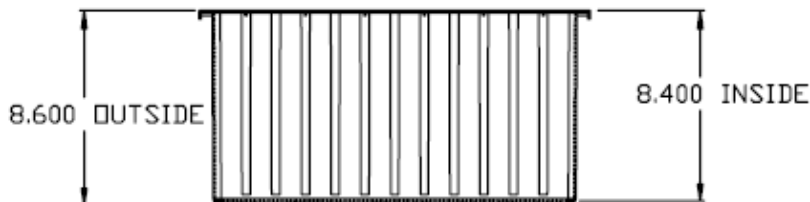
3" Drawer Tote



3" Drawer Tote



6" Drawer Tote



9" Drawer Tote



Weight Capacities:
 3" Tote = 25 lbs. (11.3Kg)
 6" & 9" Totes = 40 lbs. (18.1 Kg)

Heavy Duty Drawer Specs



Above: Double-Wide 3" Heavy Duty Drawer

Left: Single-Wide Heavy Duty Drawers

Inside Dimensions Metro Part #	Inches			Millimeters			Wt Capacity	
	H	W	D	H	W	D	Lbs	Kg
Single-Wide HD Drawers								
3" Heavy Duty Dwr	2.3	16.3	19.2	58	414	487	100	45.4
6" Heavy Duty Dwr	5.3	16.3	19.2	134	414	487	100	45.4
9" Heavy Duty Dwr	8.3	16.3	19.2	210	414	487	100	45.4
12" Heavy Duty Dwr	11.5	16.3	19.2	292	414	487	100	45.4
Double-Wide HD Drawers								
3" Heavy Duty Dwr	2.3	36.3	19.2	58	922	487	150	68
6" Heavy Duty Dwr	5.3	36.3	19.2	134	922	487	150	68
9" Heavy Duty Dwr	8.3	36.3	19.2	210	922	487	150	68
12" Heavy Duty Dwr	11.5	36.3	19.2	292	922	487	150	68

Construction: The drawer interior is composed of 16 and 18 gauge solid stainless steel. The drawer slides are full-extension, zinc-plated steel with chrome-plated ball bearings, and attach to qwikSLOT inserts. They have side lever releases and detents in the closed position. The slide travel distance is 20.75". The drawer front surface is composed of molded ABS polymer, colored in Metro Taupe. Snap-on handles ("pulls") attach above the top recessed area and are available in a variety of colors. Optional self-adhesive label holders positioned in the recessed area under the pulls are also offered.