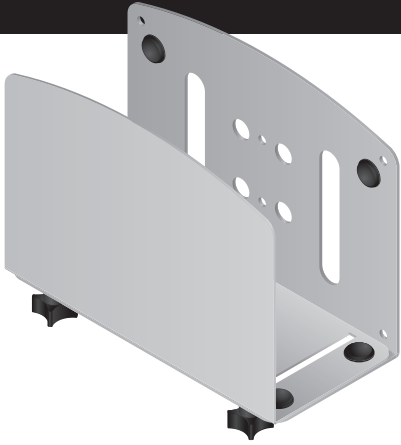


INSTALLATION INSTRUCTIONS

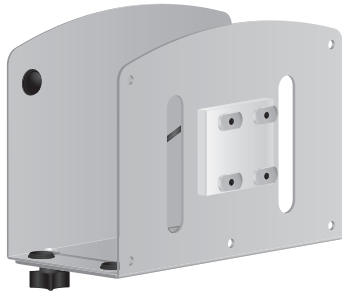
WMF-CPUL

MetroMount™ Large CPU Cradle



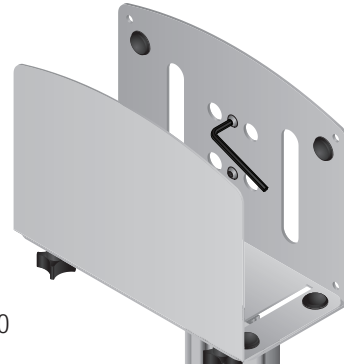
INSTALLATION WARNINGS: Read the entire instruction sheet before you begin installation or assembly. Installer must verify that the wall will safely support the combined weight of all the attached equipment and hardware. Improper installation of this product can cause extensive property damage or serious personal injury, either during or after the installation. It is the responsibility of the installer to ensure that all applications including wood, concrete, block, brick, steel, etc. are secured properly to code. California installations could require specific anchorage, and additional mounting screws. Check with local authorities for codes in your area. Other seismic states have similar regulations.

DISCLAIMER: The Manufacturer and/or Distributor will bear no responsibility for any damages of any kind arising from any improper installation of this product. Because wall construction varies widely and the ultimate method of mounting is out of the Manufacturer's or Distributor's control, it is imperative that the installer consult with local engineering, architectural, or construction personnel to ensure the wall mount is constructed properly and to code to handle the applied load.



1.0

Slide the CPU carriage onto the track.



2.0

Secure the carriage to the track.



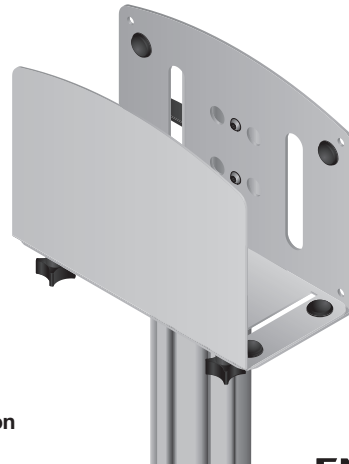
3.0

Press in track end cap.



4.0

Use thumb knobs to adjust opening to required width.



InterMetro Industries Corporation
651 North Washington Street
Wilkes-Barre, PA 18705
www.metro.com



EMERSON. CONSIDER IT SOLVED.™