

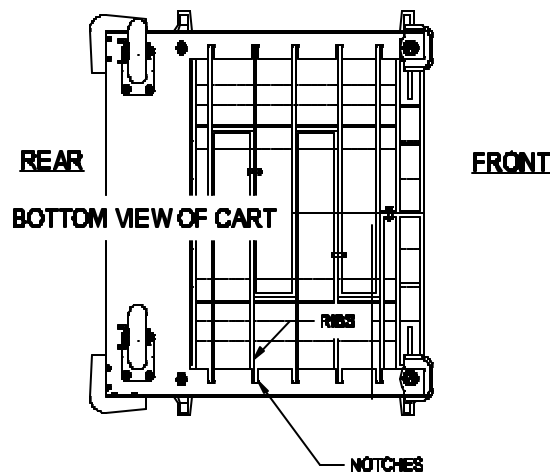
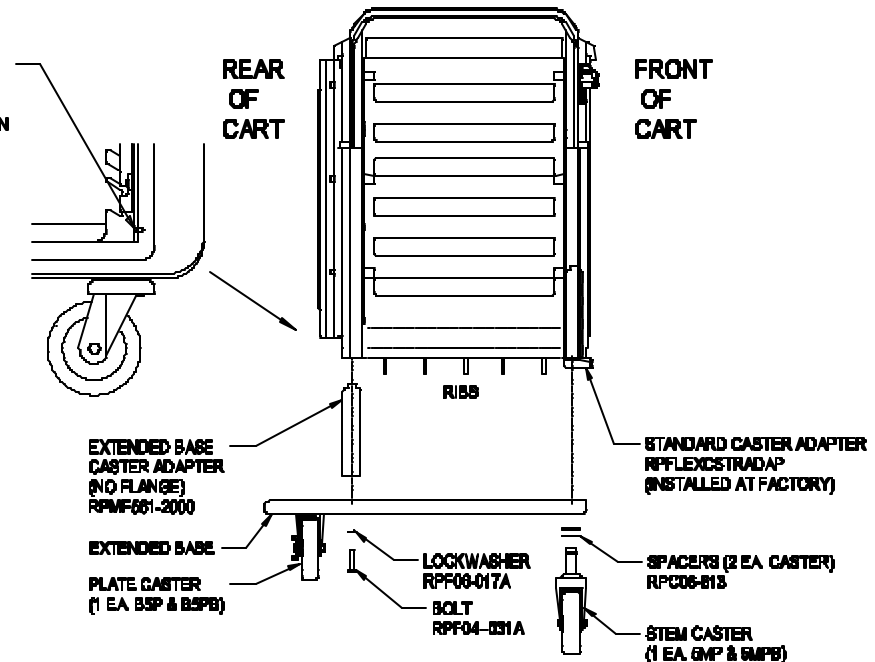
# MF561 EXTENDED BASE

# ASSEMBLY INSTRUCTIONS

## INSTALLATION INSTRUCTIONS FOR ATTACHING A MF561 EXTENDED BASE TO A NEW CART

- 1) Empty the contents of the cart and remove the drawers.
- 2) Lay the cart on it's side.
- 3) Open the extended base carton labeled MF561.
- 4) Locate and insert the two (2) extended base casters adapters into the cart as shown.
- 5) Secure the extended base caster adapters as shown with the small #10 sheet metal screws provided with the hardware for the extended base.
- 6) Fit the notches in the extended base over the ribs of the cart bottom.
- 7) Secure the extended base to the extended base caster adapters in the cart bottom with the bolts and lock washers provided as shown.
- 8) Place two (2) plastic spacers over the stem of each caster.
- 9) Insert the stem casters into the standard caster adapters in the bottom of the cart.
- 10) Stand the cart upright. This completes the assembly.

#10 X 1/2" LING. SHEET  
METAL SCREW  
(RPF04-172)  
BACK PANEL NOT SHOWN  
FOR CLARITY



## INSTALLATION INSTRUCTIONS FOR ADDING AN MF561 EXTENDED BASE TO AN EXISTING CART.

- 1) Empty the contents of the cart. Remove the drawers.
- 2) Lay the cart on it's side.
- 3) Remove all four (4) Stem Casters.
- 4) Locate and remove the small sheet metal screw securing each of the rear Caster Adapters. Remove the rear Caster Adapters only.
- 5) Open the extended base carton labeled MF561, locate the two (2) extended base caster adapters, and install into the cart as shown.
- 6) Re-install the two (2) sheetmetal screws that hold the extended base caster adapters into the cart body.
- 7) Installation continues the same as Steps 6 thru 10 for installing a base to a new cart.



InterMetro Industries Corporation  
North Washington Steet, Wilkes-Barre, PA 18705  
For Product Information Call: 1-800-433-2232  
Visit Our Web Site: [www.metro.com](http://www.metro.com)

INSTMF561  
Rev. A 8/01  
Information and specifications are subject to change without  
notice. Please confirm at time of order.