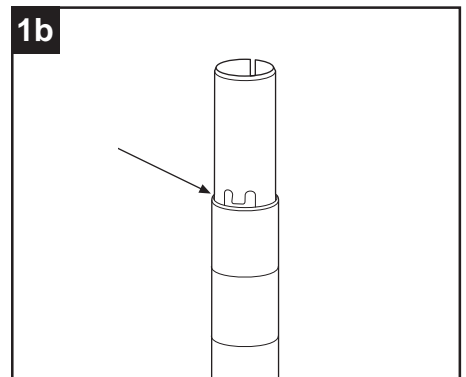
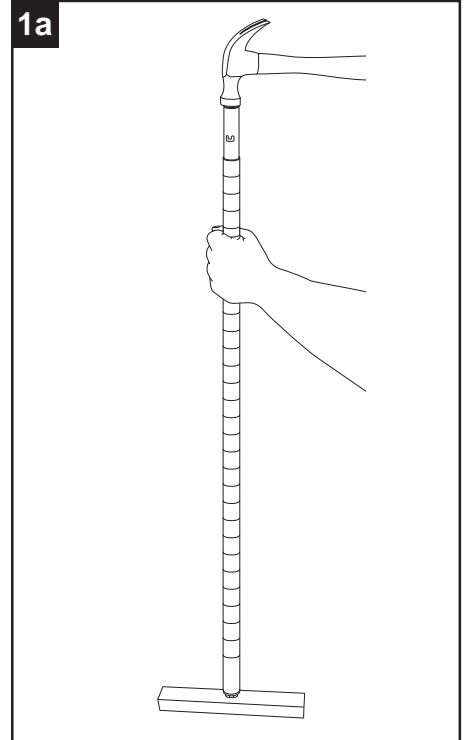
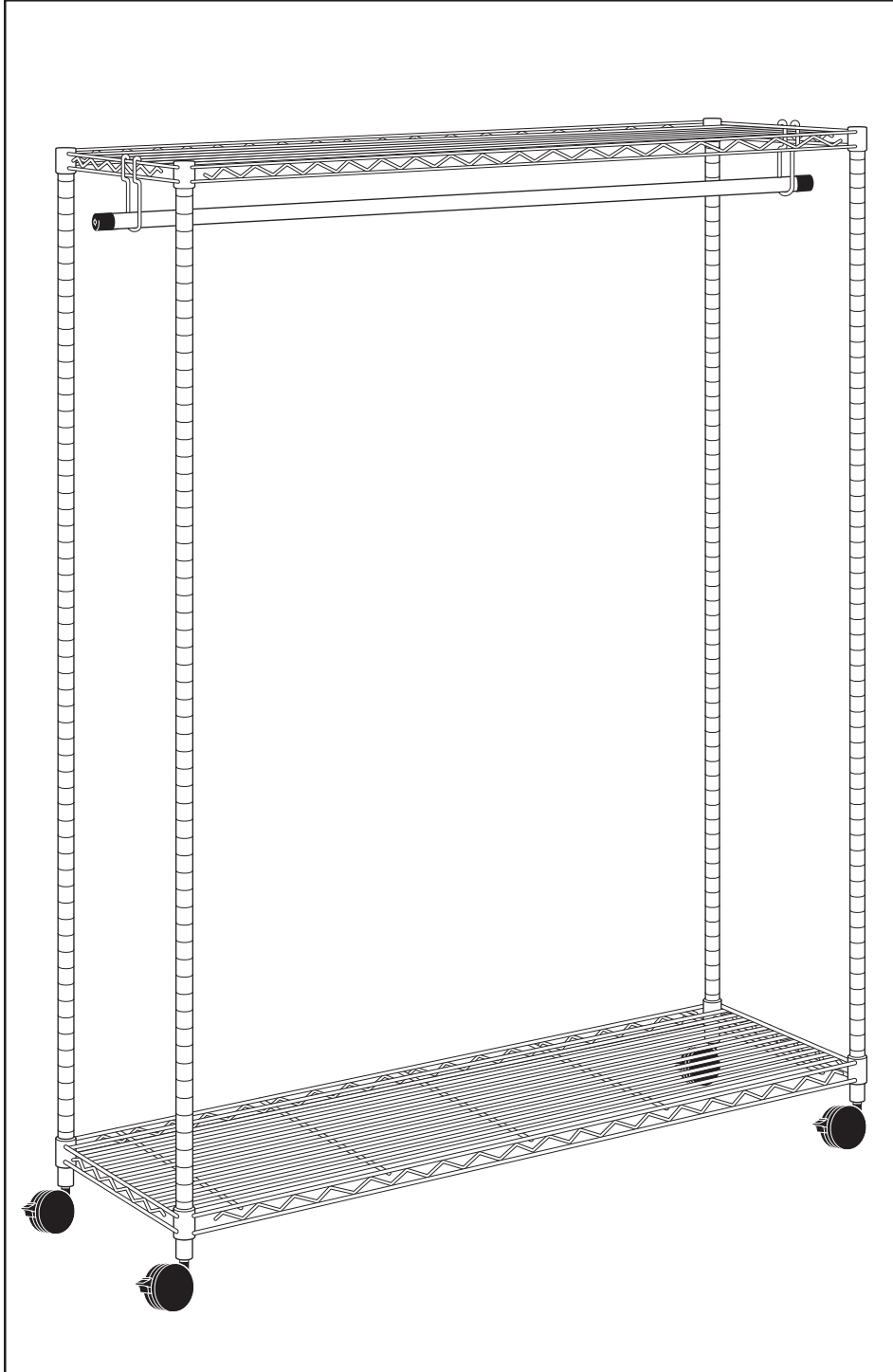


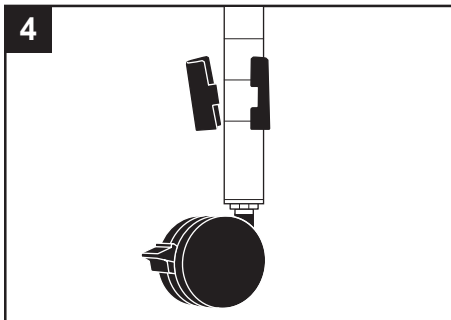
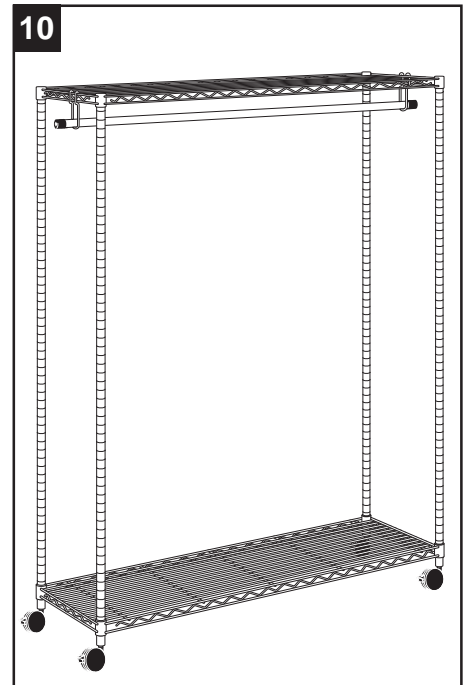
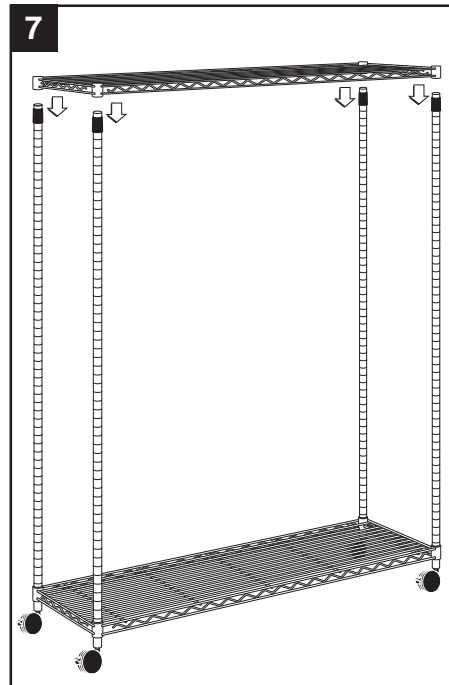
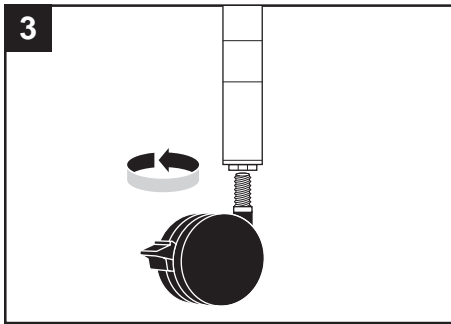
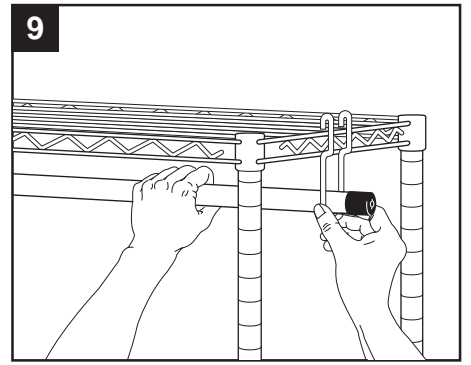
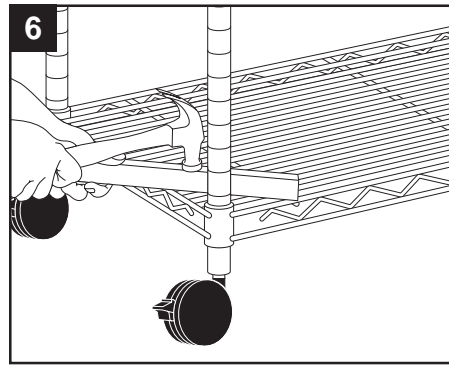
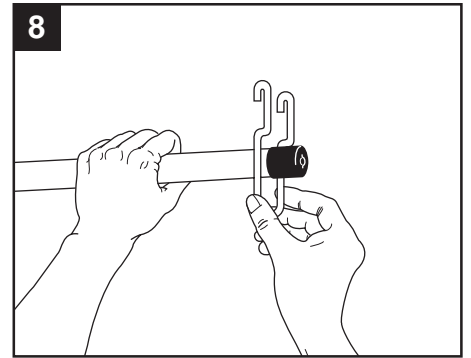
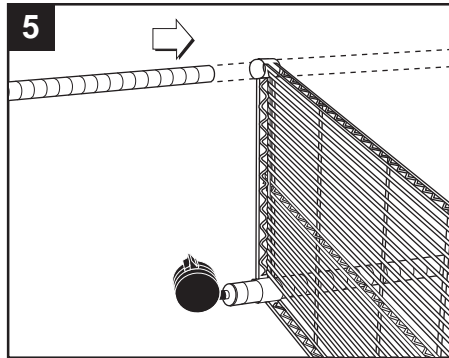
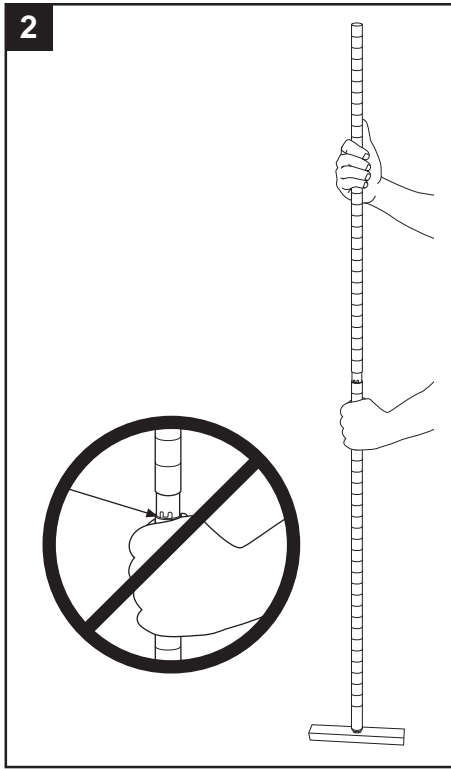
Mobile Garment Rack



InterMetro Industries Corporation
North Washington Street, Wilkes-Barre, PA 18705
For Product Information Call: 1-800-433-2232
Visit Our Web Site: www.metro.com

**ASSEMBLY
INSTRUCTIONS**
For Mobile Garment Rack

Mobile Garment Rack



InterMetro Industries Corporation

North Washington Street, Wilkes-Barre, PA 18705

For Product Information Call: 1-800-433-2232

Visit Our Web Site: www.metro.com

L01-328
10/98

Information and specifications are subject to change without notice. Please confirm at time of order.